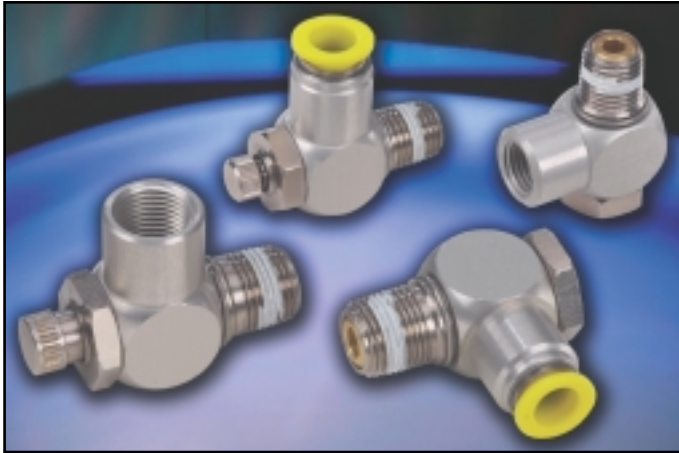




Technical Data Bulletin 11.04

JFC-4 & JFC-5 Flow Control Valves



These combination needle and check valve flow controls are typically used to control air flow from air cylinders, thereby controlling the speed at which the piston strokes, either while extending or retracting, depending on their location in the circuit.

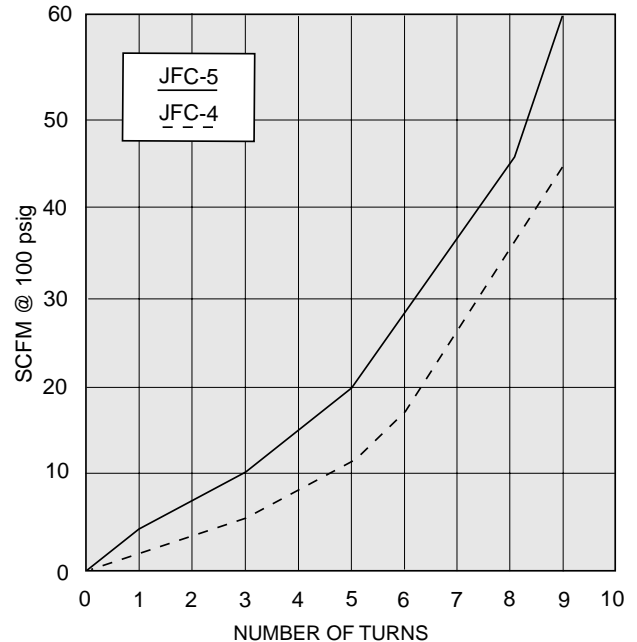
J-Series Flow Control Valves allow free flow from the inlet to the outlet past the needle and check valve. In reverse flow, from the outlet to the inlet, the check valve is sealed and the flow must now pass through the metered passage controlled by the tapered adjustment needle.

Models listed in the chart have either a 1/4" NPT (JFC-4) or 3/8" NPT (JFC-5) male threaded outlets, recessed screwdriver slot (R) or knurled knob (K) flow adjustment needles and female NPT or push-to-connect tubing (Push-Quick) inlets.

Features

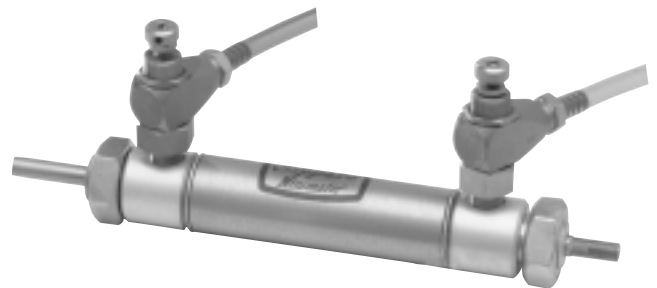
- Pre-applied sealant on male NPT outlet port
- Accessible hex wrench flats on stem simplifies installation
- Inlet is a swivel port that can be rotated 360° for optimum port alignment
- Models available with flow adjustment by recessed screwdriver slot or knurled knob
- Captivated needle cannot be adjusted out of the stem
- A super fine 48 pitch needle thread provides the finest adjustment available
- Built of corrosion-resistant materials for long life

Typical Performance Curves

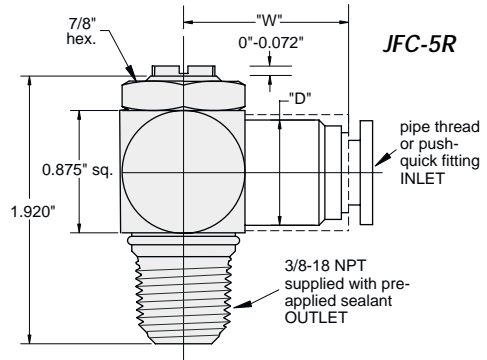
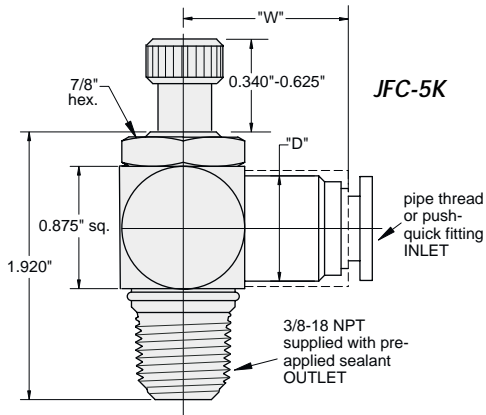
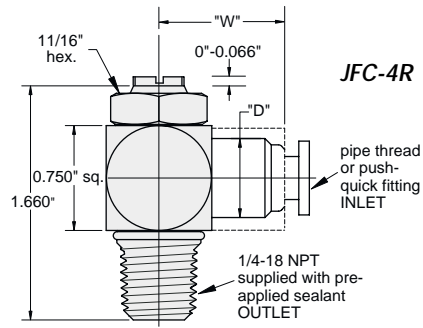
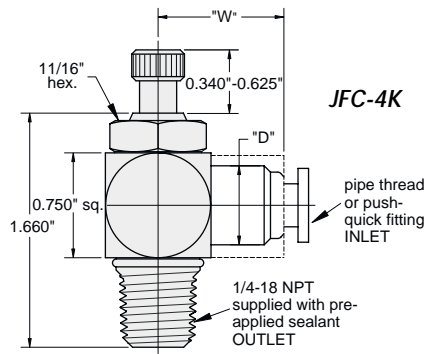


Specifications

Medium:	Air, Water or Oil
Input Pressure:	5 to 150 psig
Temperature Range:	32 to 230°F
Materials:	Electroless Nickel-Plated Brass Needle and Stem, Anodized Aluminum body, Buna-N Seals



Clippard offers a large variety of flow controls and needle valves for adjusting the speed of cylinders. Clippard offers stainless steel cylinders in 12 bore sizes with strokes up to 40". Reed and Hall Effect Switches are offered for sensing. Brass and corrosion-resistant models also available.



Order No.	Needle	Outlet Port	Inlet Port	"D" Diameter	"W" Width
JFC-4K JFC-4K-P08 JFC-4K-P12	with Knob	1/4" NPT Male	1/4" NPT Female	0.710"	0.890"
			1/4" Push-Quick Fitting	0.562"	0.890"
			3/8" Push-Quick Fitting	0.710"	1.062"
JFC-4R JFC-4R-P08 JFC-4R-P12	Recessed	1/4" NPT Male	1/4" NPT Female	0.710"	0.890"
			1/4" Push-Quick Fitting	0.562"	0.890"
			3/8" Push-Quick Fitting	0.710"	1.062"
JFC-5K JFC-5K-P12	with Knob	3/8" NPT Male	3/8" NPT Female	0.827"	1.125"
			3/8" Push-Quick Fitting	0.750"	1.124"
JFC-5R JFC-5R-P12	Recessed	3/8" NPT Male	3/8" NPT Female	0.827"	1.125"
			3/8" Push-Quick Fitting	0.750"	1.124"

Disclaimer & Limited Warranty

All information contained in this publication is for reference only. Proper design engineering procedures should be used to assure any compliances. Clippard Instrument Laboratory, Inc. reserves the right to make changes without notice and does not warrant or guarantee the information contained herein.

Limited Warranty. Clippard Instrument Laboratory, Inc. (seller) warrants its products to be free from defects in material and workmanship for a period of ninety (90) days from the date of sale. Seller's liability shall be limited at seller's option to repair, replace or refund the purchase price of product found by seller's examination to be defective. All claims under this warranty must be made in writing to seller's factory sales department giving full details, prior to return of product, postpaid, to factory. Seller shall not be responsible for product failure due to normal wear, accident, buyer's misapplication, abuse, neglect or alteration of product. Seller will not be responsible for any consequential damages. Clippard Instrument Laboratory, Inc. makes no other warranty of any kind, expressed or implied. All technical data and operations are average values based on standard production models. Some deviations can be expected and consideration should be given during initial design stages. All operating characteristics are based on new equipment, under normal conditions of use and environments, and a clean air supply.

Distributed By